

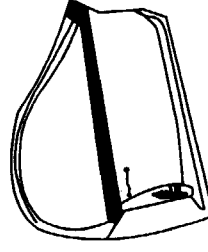
# All-purpose type Central Lock System instruction

## 1) Special functions of this product:

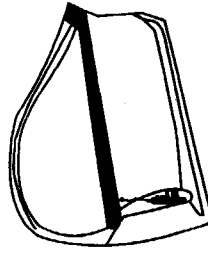
- Voltage:DC12V±3V
  - Moving distance: 18MM±1MM
  - Movement Force: 32N±4N
  - Humidity of usage area: -30℃\_+80℃
- ## 2) Styles of usage for central locking system:
- Single control style (1 for 3),one main lock with 5 wires,3 secondary locks with 2 wires.
  - Double control style(2 for 2),two main locks with 5 wires,2 secondary locks with 2 wires.
- ## 3) Brief assembly directions:
- Before installing the central locking system,clearly understand the structure of the door that will be installed on.Make sure the place of installation,which will not affect the motion of the window.
  - After installing the lock,roll the window up and down few times,and make sure there is no scratching occurs,Then put the door panel back on.
  - Do not put the main controller and remote controller into water,get wet,or leave under the sun at high temperature.if the remote controlling distance becomes shorter or indicator light becomes dimmer,change the battery as soon as possible.
  - Controller is sealed with super-sonic water proof materials,do not attempt to disassemble or take apart by yourself,ask an experienced or qualified professional.

## 4) Examples

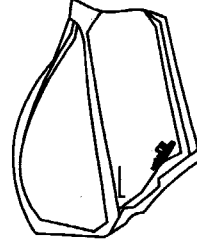
- For front driver\_side door:remove the door panel,put the lock and metal piece on the metal board Stabilize.Then put the connecting stick into the right side hole(Picture 1),and then connect it straight down to the lock(Picture 2),the pull the stick inside and see if it moves with other locks.  
(Front passenger\_side's assembly is the same)
- For rear driver\_side door:Put the lock and metal piece on the metal board and stabilize(Picture 3),on the bottom left stabilizing hole on the door panel.Then put the connecting stick into the hole on the right,and pull the stick down and extend it,find a eight spot and connect it to the lock (Picture 4),(Rear passenger\_side's assembly is the same)



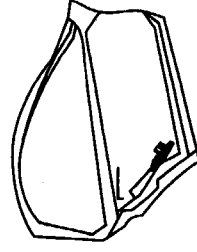
(Picture 1)



Picture (2)

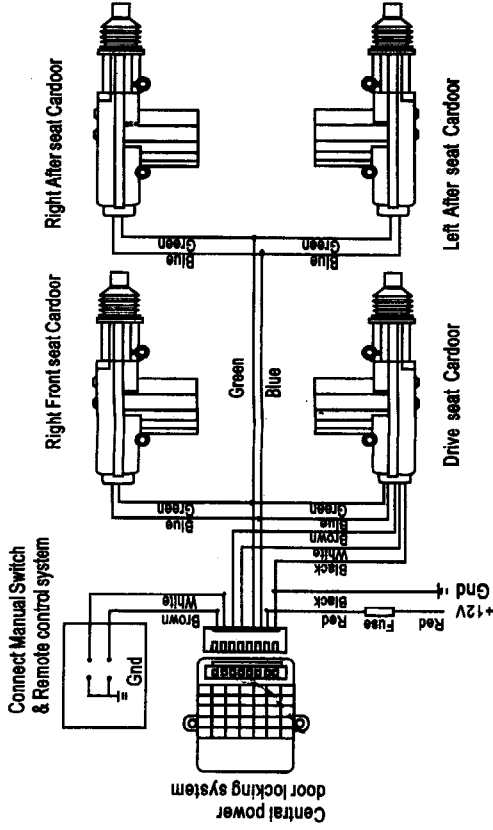


(Picture 3)



Picture (4)

## SINGLE CONTROL WIRE DRAWING



## DOUBLE CONTROL WIRE DRAWING

